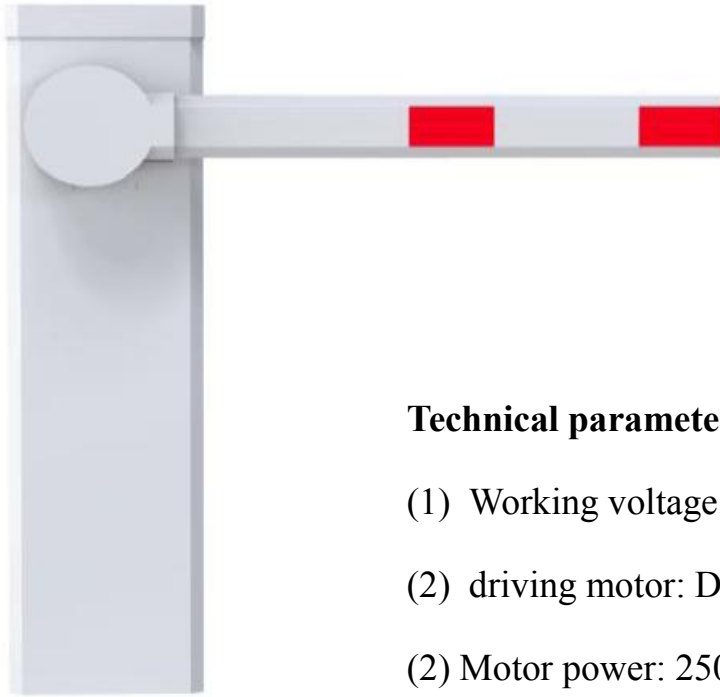


## Instruction of Barrier Gate

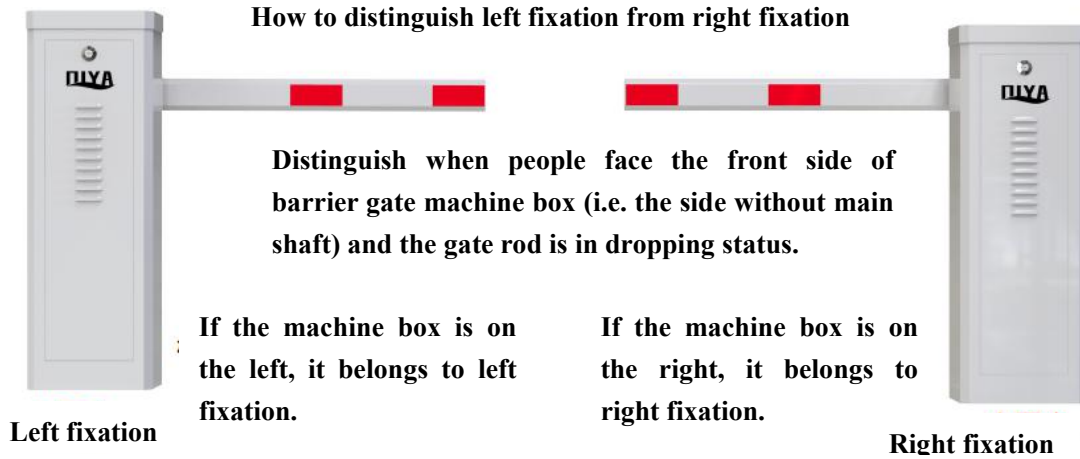


### Technical parameters

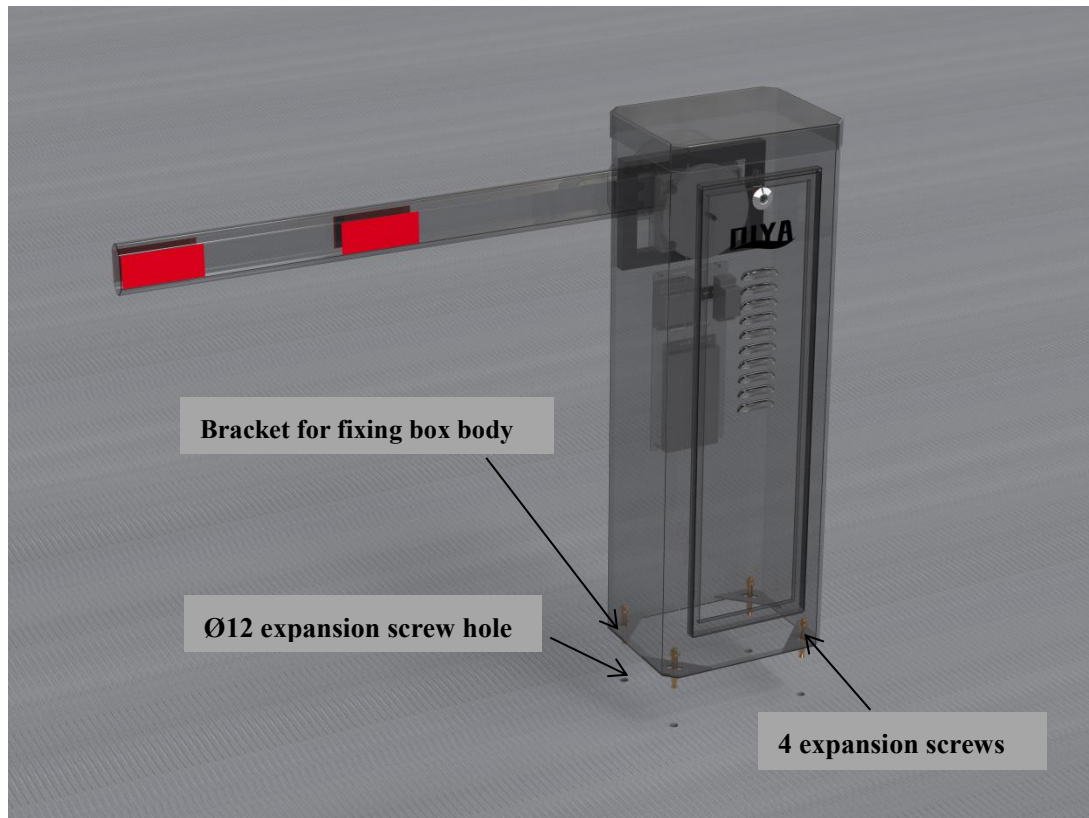
- (1) Working voltage: AC110V
- (2) driving motor: DC 30V
- (2) Motor power: 250W
- (3) Ambient temperature:  $-40^{\circ}\text{C}$ - $80^{\circ}\text{C}$
- (4) Humidity limit:  $\text{RH} \leq 95\%$  No condensation
- (5) Remote control distance:  $\leq 1000$  meters
- (6) Applicable rod length: 1-4 meters
- (7) Rod lifting and dropping speed: Rod lifting speed: 0.5-4s; Rod dropping speed: 3-4s

## 1. Product definition

When people face the front side of barrier gate main machine (i.e. the side without main shaft right in front of the main machine), if the barrier gate box is on the right of the rod, it belongs to right fixation; if the barrier gate box is on the left of the rod, it belongs to left fixation, as shown in the following figure:



## 2. Main machine fixation and installation



**Steps for installing the main machine box body:**

**Step one:** Place the main machine box body on flat ground, and then mark positions where bottom holes shall be drilled on the center of the bracket for fixing box body and the ground;

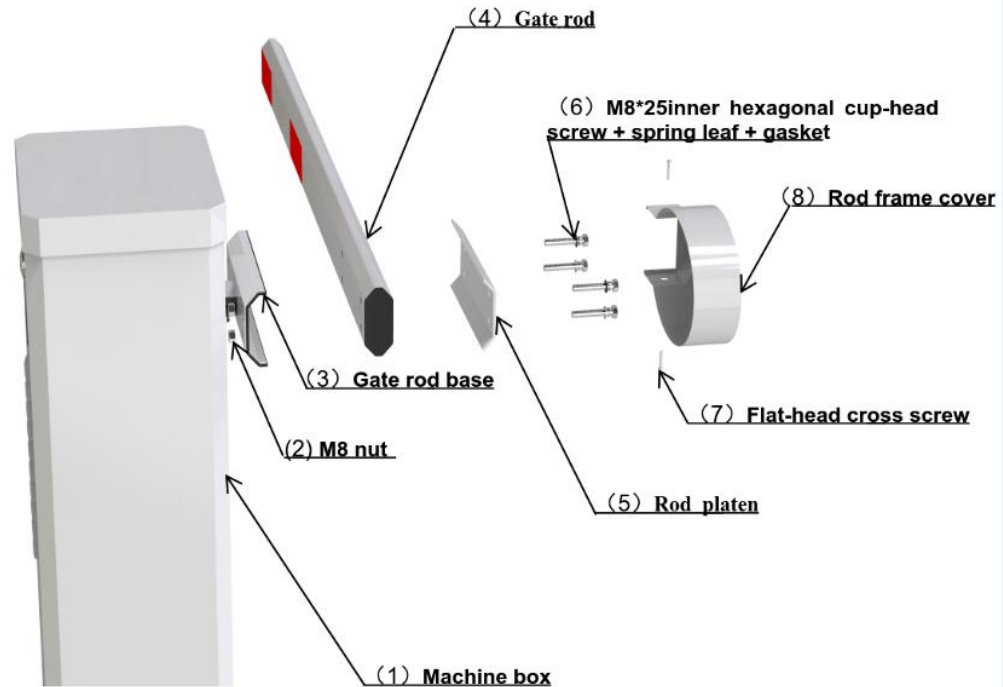
**Step two:** Move the main machine box body, and drill 4 bottom holes with Ø12 drilling bit on the ground where positions are marked;

**Step three:** Knock expansion screws into Ø12 bottom holes;

**Step four:** Put holes on bracket for fixing main machine box body and 4 expansion screws in place correspondingly, and then fix main machine box body tight with gaskets, springs and nuts coming with expansion screws.

### 3. Gate rod fixation and assembly diagram

#### 3.1 Right fixation gate rod assembly diagram (as shown in the following figure)



#### Steps for installing and debugging right fixation gate rod:

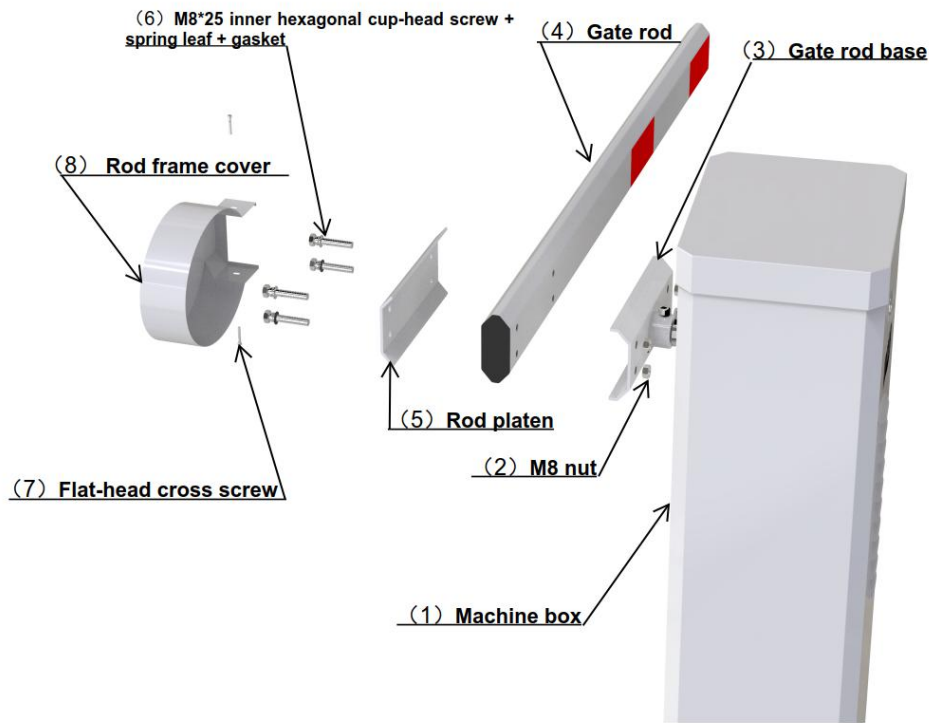
Step one: Put right fixation gate rod shown in the figure into gate rod base horizontally;

Step two: Put rod platen shown in the figure into gate rod horizontally;

Step three: Make screw shown in the figure pass through rod platen, gate rod and gate rod base; use M8 nut and corresponding M8 screw to secure and fix gate rod;

Step four: Use rod frame cover shown in the figure to cover **rod platen** and gate rod base; knock flat-head cross screw into corresponding rod frame cover screw hole to fix rod frame cover tight.

**3.2 Left fixation gate rod assembly diagram (as shown in the following figure)**



**Steps for installing and debugging left fixation gate rod:**

**Step one:** Put gate rod shown in the figure into gate rod base horizontally;

**Step two:** Put rod platen shown in the figure into gate rod horizontally;

**Step three:** Make screw shown in the figure pass through rod platen, gate rod and gate rod base; use M8 nut and corresponding M8 screw to secure and fix gate rod;

**Step four:** Use rod frame cover shown in the figure to cover **rod platen** and gate rod base; knock flat-head cross screw into corresponding rod frame cover screw hole to fix rod frame cover tight.

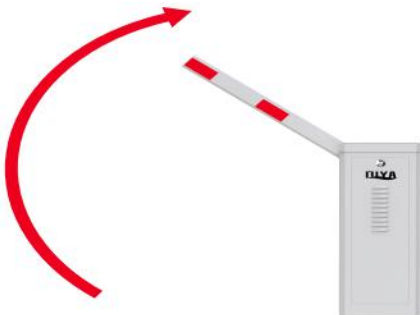
#### 4. Common faults and fault debugging

(1) Motor doesn't work, and controller displays report error.

When such faults occur, please directly contact relevant after-sales service department or personnel, notify them of such faults and ask them to handle such faults. If report error item is ERR3, please confirm and eliminate the reason that gate rod or load is too heavy first. (Refer to the following figure for motor report error codes and fault handling opinions)

Fault code	Fault reason	Fault handling opinion
Err1 Err9	Controller and driving communication are blocked.	1. Check communication lines of controller and driver board, and make sure that all connecting lines are well connected. 2. Replace this connecting line.
Err2	There is something wrong with magnetic coding.	1. Re-learn magnetic coding. 2. Re-connect magnetic coding line. 3. Replace magnetic coding board.
Err3	Over-load protection	The gate rod is too heavy, and there is a need to replace gate rod.
Err4	Driver board 2.5V criterion error	Re-learn driver board.
Err6	Driver board MOS short-circuit protection	Re-learn driver board.
Err7	There is something wrong with Hall sensor.	1. Re-connect Hall line. 2. Replace Hall plate.
Err8	Motor gets stuck, and the rod cannot be lifted.	Replace motor.

(2) Emergent treatment upon power failure

	<p>Lift gate rod manually upon abrupt power failure, and press UP arrow key or DOWN arrow key of remote controller to restore automatically after energized.</p>
---	--

### 5. List of standard complete equipment upon leaving the factory

Serial No.	Item name	Quantity	Unit	Remark
1	Barrier gate main machine	1		1 rod frame base
2	Rapid rod frame	1	Set	Include 1 gate rod, 1 rod platen, 4 sets of M8*25 inner hexagonal cup-head screw + spring gasket + gasket + M8 nut, 1 rod frame cover and 2 flat-head cross screws.
3	Remote controller	2	Piece	
4	Key	1	Piece	
5	Product instruction	1	Copy	